

Arion

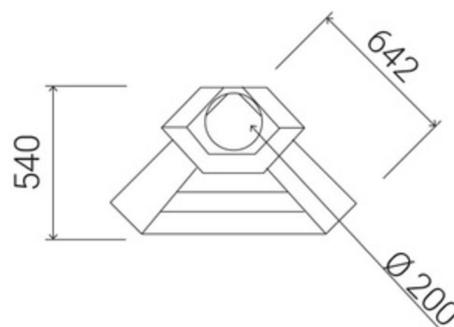
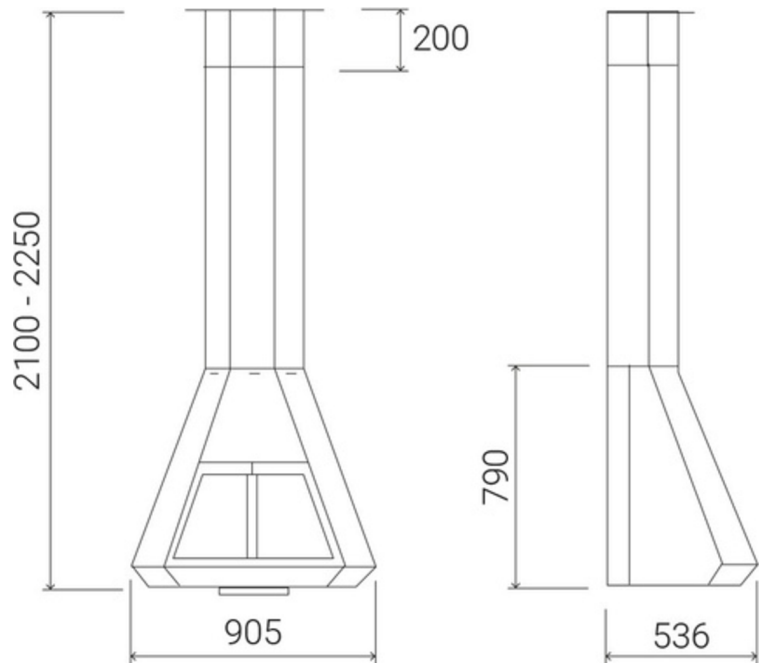


TECHNICAL DATA

HRP. Heat-resistant Paint	Yes
Ral	No
Dual combustión	No
Double Hood	No
Detachable deflector	Yes
Ventilated back	No
Rotating system	No
Combustion	L-G-B
Wall mount bracket	Yes
Flue pipe to the ceiling	Op
Spark arrestor	No
Commercial pipe connection diameter	H 200
Commercial pipe must be purchased separately	Yes
Net weight	80 kg
Gross weight	100 kg
Packaging	1000 x 1000 x 1700 mm

Performance	70%
Power	8,7 Kw

Model: Frontal



TRAFORART