

Arlet

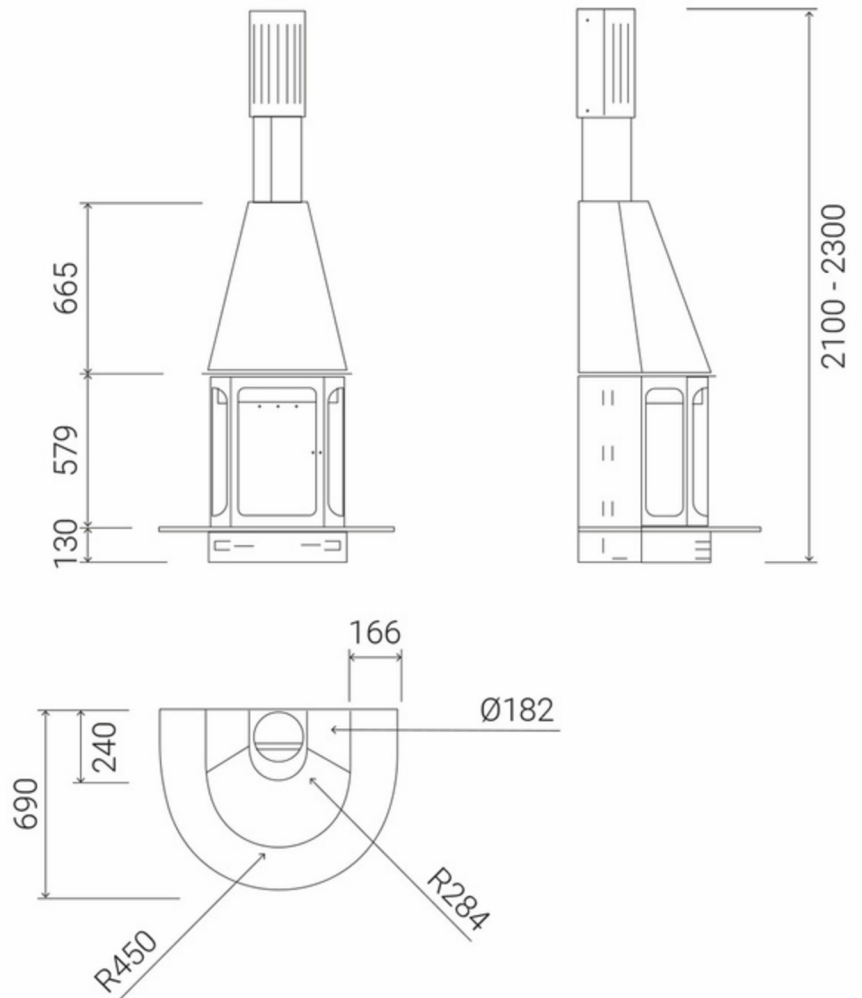


TECHNICAL DATA

HRP. Heat-resistant Paint	Yes
Ral	Op
Dual combustión	Yes
Double Hood	Yes
Detachable deflector	Yes
Ventilated back	Yes
Rotating system	No
Combustion	L-G-B
Wall mount bracket	Yes
Flue pipe to the ceiling	No
Spark arrestor	No
Commercial pipe connection diameter	H 180
Commercial pipe must be purchased separately	-
Net weight	160 kg
Gross weight	180 kg
Packaging	1000 x 1000 x 1700 mm

Performance	82%
Power	11,6 Kw

Model: Frontal



TRAFORART