

Rac

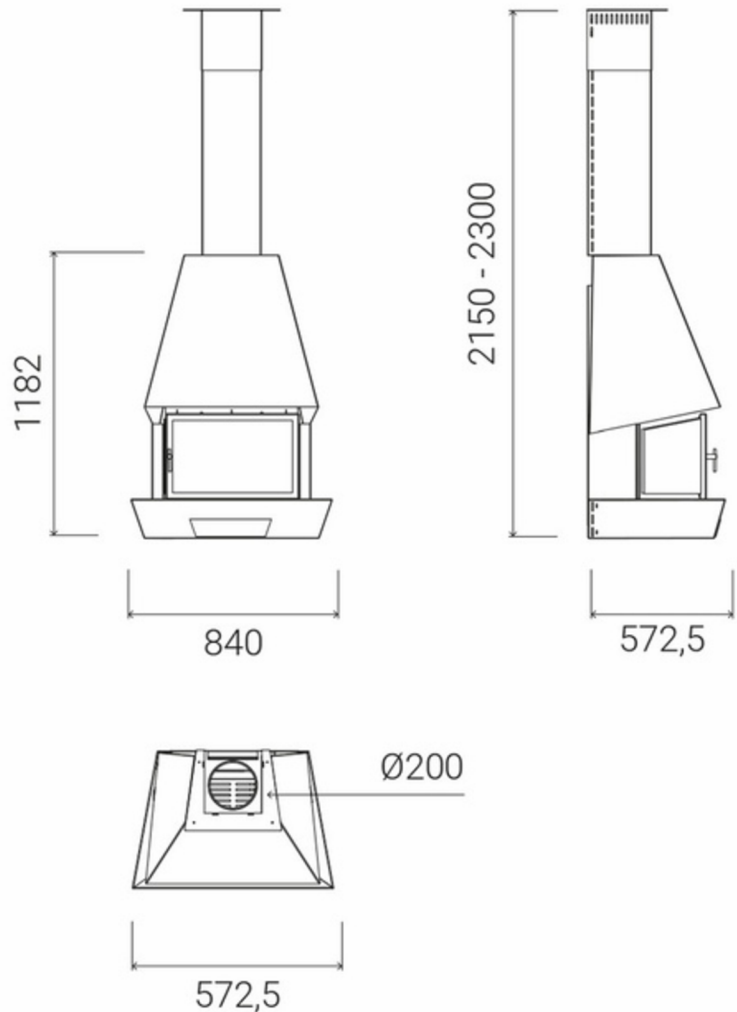


TECHNICAL DATA

HRP. Heat-resistant Paint	Yes
Ral	No
Dual combustión	Yes
Double Hood	No
Detachable deflector	Yes
Ventilated back	Yes
Rotating system	No
Combustion	L-G-B
Wall mount bracket	Yes
Flue pipe to the ceiling	Op
Spark arrestor	No
Commercial pipe connection diameter	H 200
Commercial pipe must be purchased separately	Yes
Net weight	120 kg
Gross weight	140 kg
Packaging	1000 x 1000 x 1700 mm

Performance	77%
Power	9,8 Kw

Model: Frontal



TRAFORART