

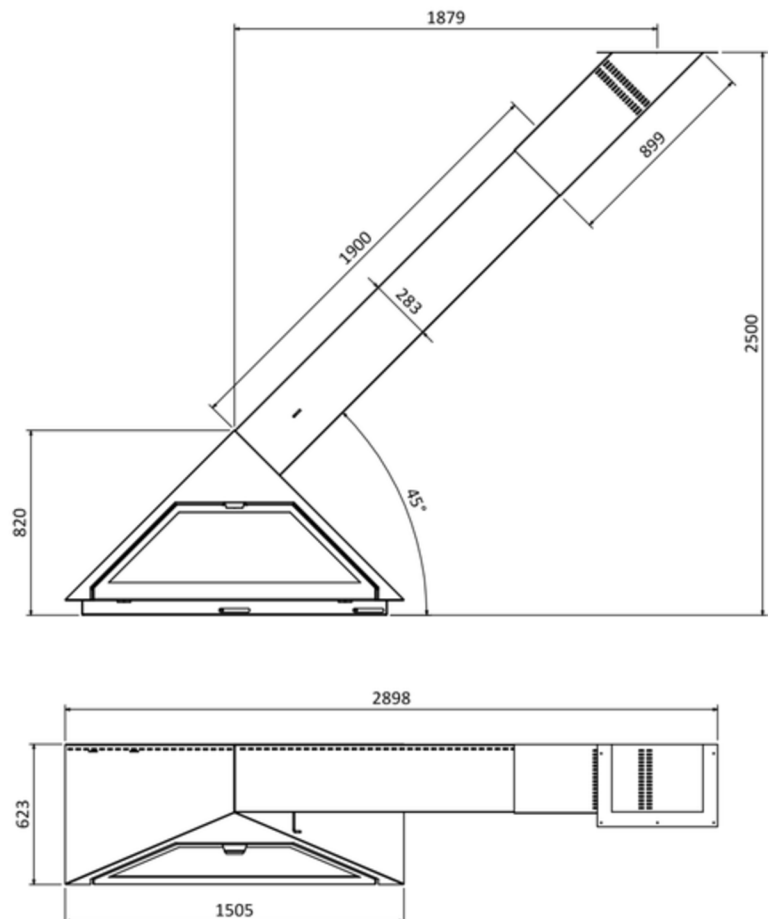
Madrid



TECHNICAL DATA

HRP. Heat-resistant Paint	Yes
Ral	No
Dual combustión	Yes
Double Hood	No
Detachable deflector	Yes
Ventilated back	Yes
Rotating system	No
Combustion	L-G-B
Wall mount bracket	OP
Flue pipe to the ceiling	Op
Spark arrestor	No
Commercial pipe connection diameter	H 200
Commercial pipe must be purchased separately	Yes
Net weight	140 kg
Gross weight	160 kg
Packaging	1500 x 1500 x 1660 mm
Performance	70%
Power	8,7 Kw

Model: Frontal Oblique



TRAFORART