

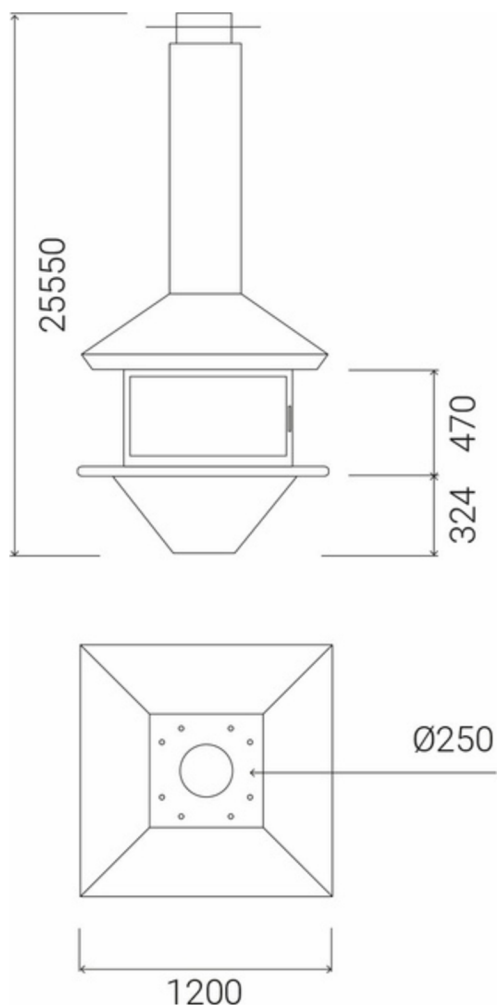
# Gaia



## TECHNICAL DATA

HRP. Heat-resistant Paint	Yes
Ral	Op
Dual combustión	No
Double Hood	Yes
Detachable deflector	No
Ventilated back	No
Rotating system	No
Combustion	L-G-B
Wall mount bracket	No
Flue pipe to the ceiling	Op
Spark arrestor	No
Commercial pipe connection diameter	H 250
Commercial pipe must be purchased separately	-
Net weight	230 kg
Gross weight	250 kg
Packaging	1230 x 1230 x 1800 mm 1000 x 1000 x 1700 mm
Performance	73%
Power	14,4 Kw

Model: Central



**TRAFORART**