

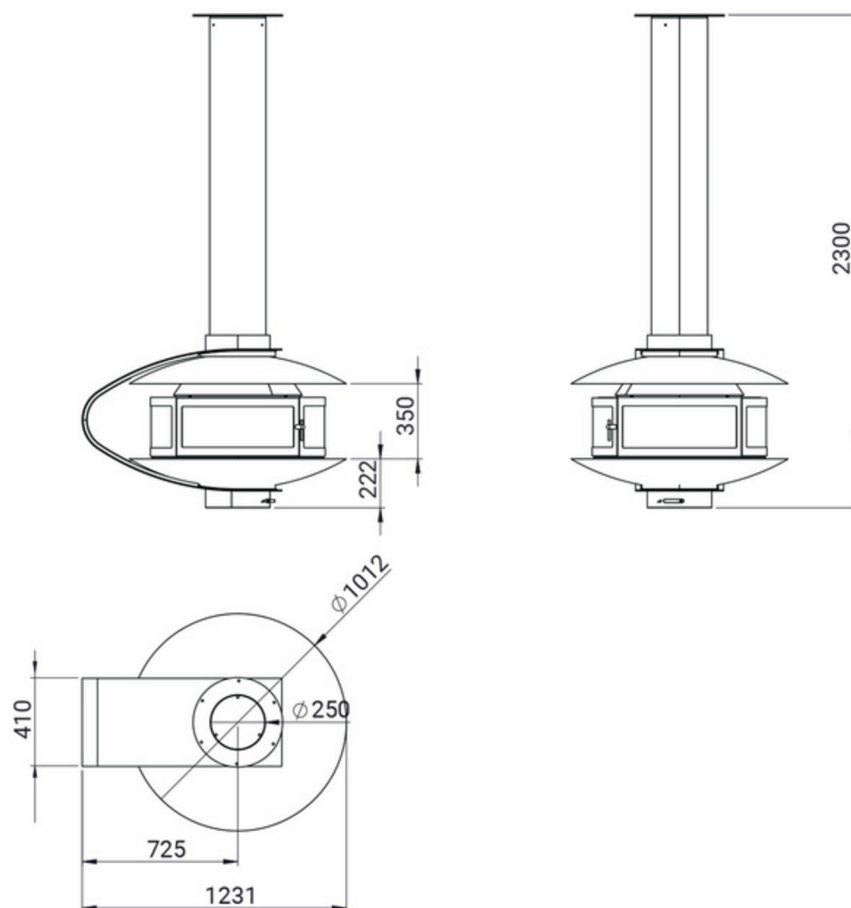
Fancy



TECHNICAL DATA

HRP. Heat-resistant Paint	Yes
Ral	Op
Dual combustión	No
Double Hood	No
Detachable deflector	Yes
Ventilated back	No
Rotating system	Op
Combustion	L-G-B
Wall mount bracket	Op
Flue pipe to the ceiling	No
Spark arrestor	No
Commercial pipe connection diameter	H 250
Commercial pipe must be purchased separately	-
Net weight	222 kg
Gross weight	242 kg
Packaging	1230 x 1230 x 1800 mm
Performance	67%
Power	10 Kw

Model: Central with enclosure



TRAFORART