

Fancy

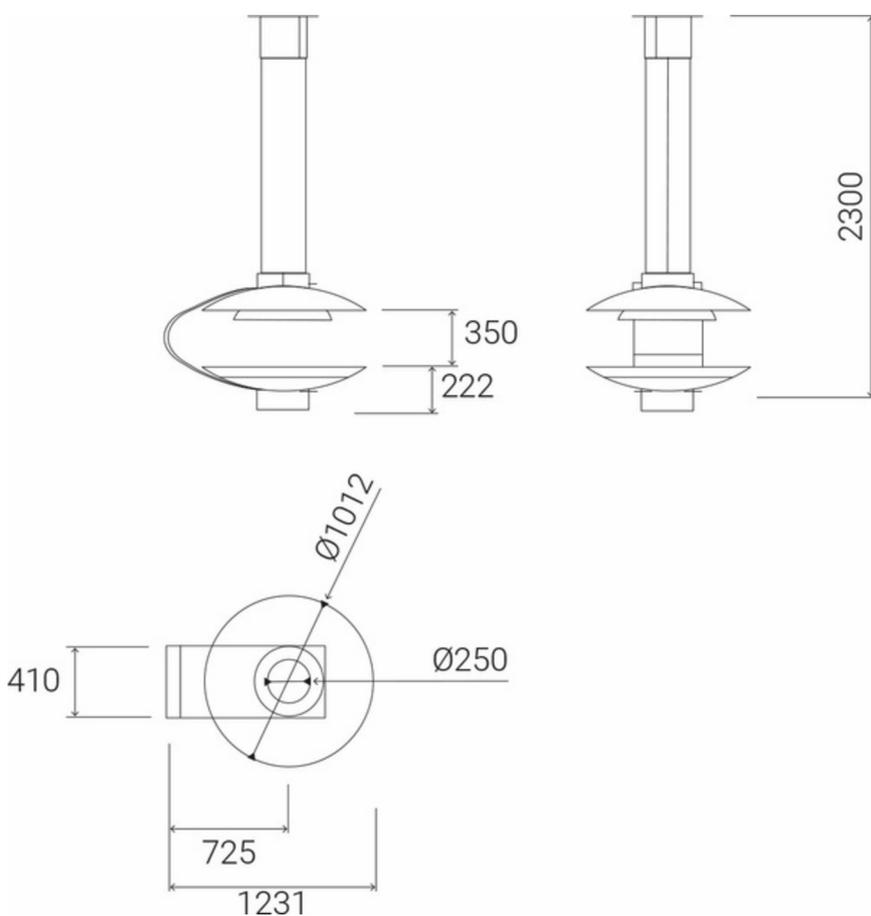


TECHNICAL DATA

HRP. Heat-resistant Paint	Yes
Ral	Op
Double Hood	No
Detachable deflector	Yes
Rotating system	Op
Combustion	L-G-B
Wall mount bracket	No
Flue pipe to the ceiling	Yes
Commercial pipe connection diameter	H 250
Commercial pipe must be purchased separately	-
Net weight	186 kg
Gross weight	206 kg
Packaging	1230 x 1230 x 1800 mm

Performance	60%
Power	6 Kw

Model: Central
Without enclosure



TRAFORART