

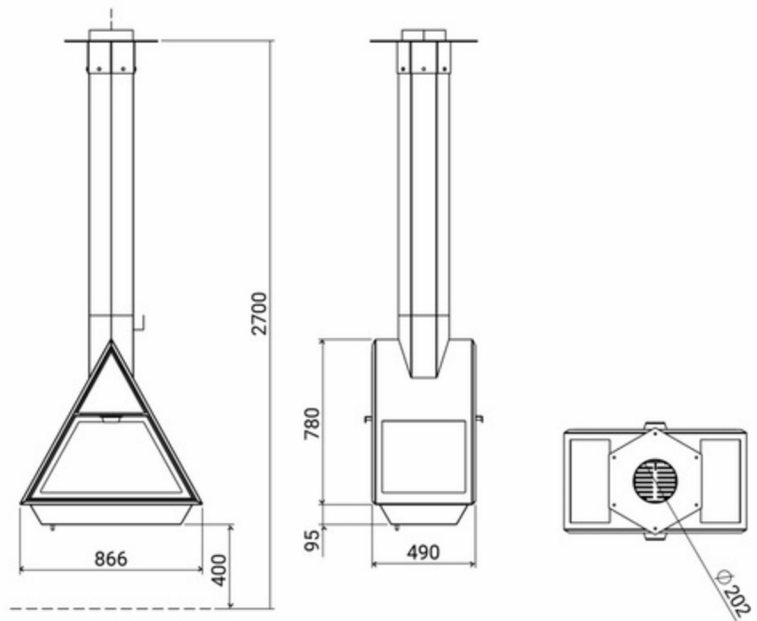
Equil_Art



TECHNICAL DATA

HRP. Heat-resistant Paint	Yes
Ral	No
Dual combustión	No
Double Hood	No
Detachable deflector	No
Ventilated back	No
Rotating system	No
Combustion	L-G-B
Wall mount bracket	No
Flue pipe to the ceiling	No
Spark arrestor	Yes
Commercial pipe connection diameter	H 200
Commercial pipe must be purchased separately	-
Net weight	130 kg
Gross weight	150 kg
Packaging	1000 x 1000 x 1700 mm

Model: Central



TRAFORART