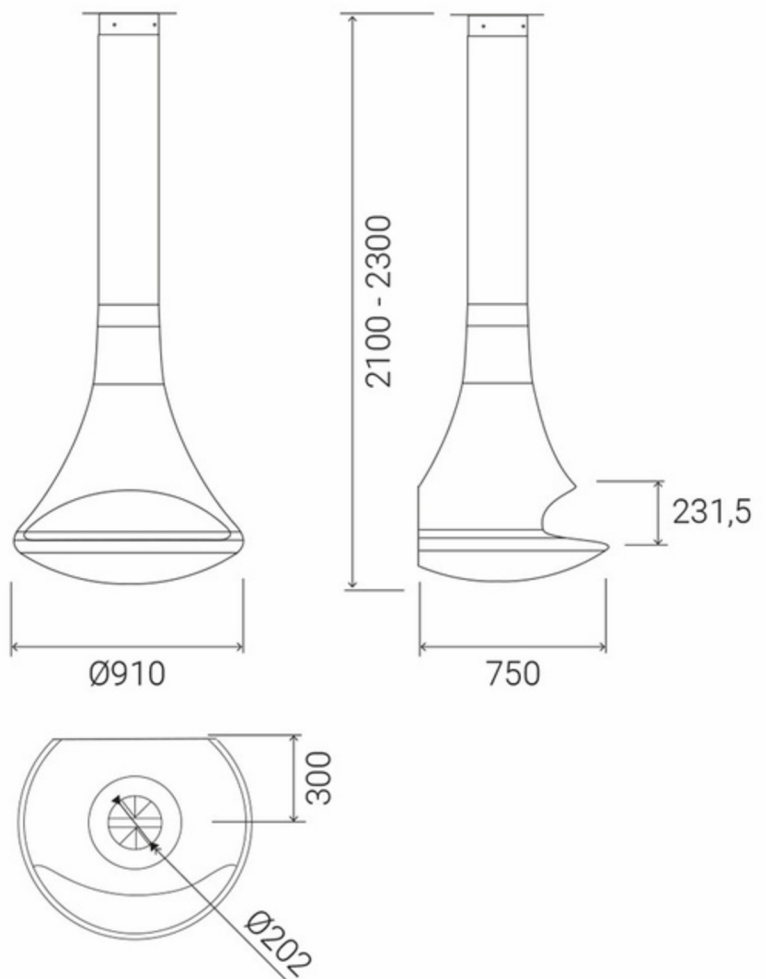


# Doria



## TECHNICAL DATA

HRP. Heat-resistant Paint	Yes
Ral	No
Dual combustión	No
Double Hood	No
Detachable deflector	Yes
Ventilated back	No
Rotating system	No
Combustion	L-G-B
Wall mount bracket	Yes
Flue pipe to the ceiling	No
Spark arrestor	Op
Commercial pipe connection diameter	H 200
Commercial pipe must be purchased separately	-
Net weight	160 kg
Gross weight	180 kg
Packaging	1230 x 1230 x 1800 mm
Performance	33%
Power	8,9 Kw



**TRAFORART**