

Doria

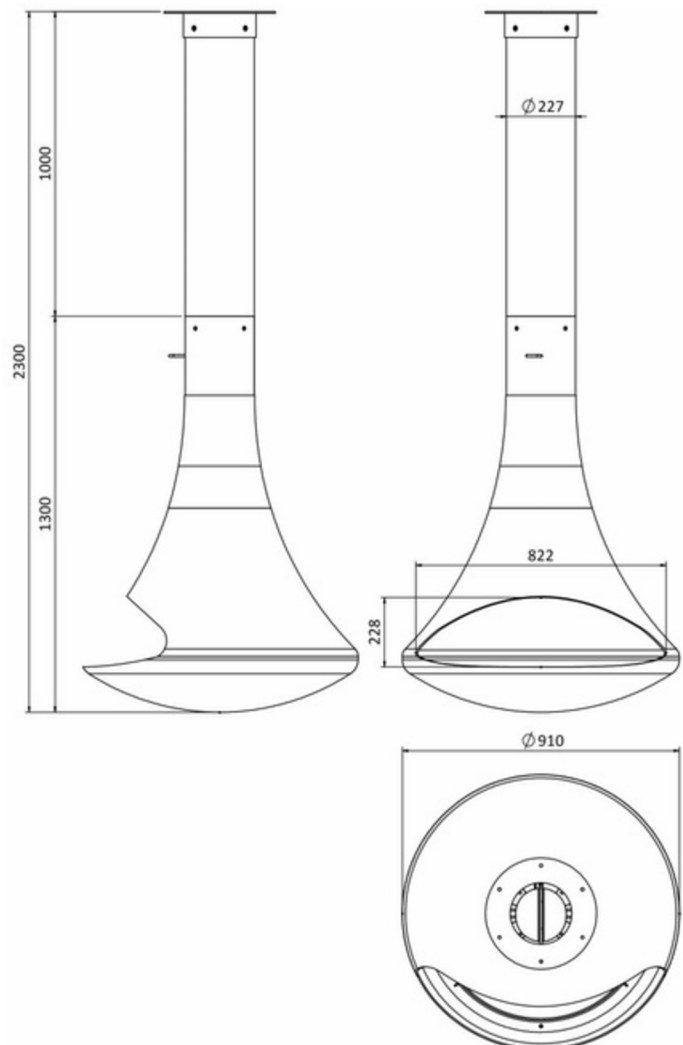


TECHNICAL DATA

HRP. Heat-resistant Paint	Yes
Ral	No
Dual combustión	No
Double Hood	No
Detachable deflector	Yes
Ventilated back	No
Rotating system	Op
Combustion	L-G-B
Wall mount bracket	No
Flue pipe to the ceiling	No
Spark arrestor	Si
Commercial pipe connection diameter	H 200
Commercial pipe must be purchased separately	-
Net weight	130 kg
Gross weight	150 kg
Packaging	1230 x 1230 x 1800 mm

Performance	33%
Power	8,9 Kw

Model: Central
1 side



TRAFORART